

IGBT Transistor

GT40T101

1500V / 40A

DATASHEET

OEM – Toshiba


Source: Toshiba Databook 1995/96

MAXIMUM RATINGS (Ta=25°C)

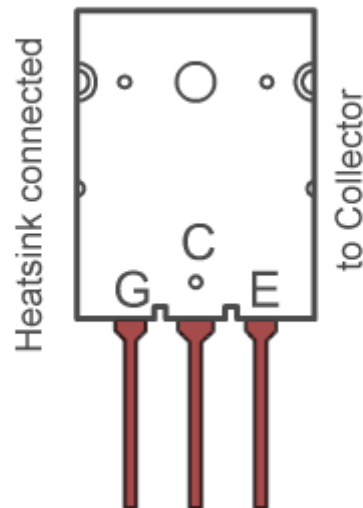
CHARACTERISTIC	SYMBOL	RATING	UNIT
Collector-Emitter Voltage	Vces	1500	V
Gate-Emitter Voltage	Vges	+/-25	V
Collector Current	DC	IC	40
	1ms	Icp	80
Collector Power Dissipation	Pc	200	W
Junction Temperature	Tj	150	°C
Storage Temperature Range	Tstg	-55~150	°C

Source: Toshiba IGBT Databook 95/96

ELECTRICAL CHARACTERISTICS (Ta=25°C)

CHARACTERISTICS	SYMBOL	TEST CONDITION	MIN.	TYP.	MAX.	UNIT
Gate Leakage Current	Iges	Uge=+/-25V, Vce=0	-	-	+500	nA
Collector Cut-off Current	Ices	Uce=1500V, Uge=0	-	-	1.0	mA
Gate-Emitter Cut-off Voltage	Uge (off)	Ic=40mA, Uce=5V	3.0	-	6.0	V
Collector-Emitter Saturation Voltage	Uce (sat)	IC=40A, Uge=15V	-	4.0	5.0	V
Input Capacitance	Cies	Uce=10V, Uge=0, f=1MHz	-	3600	-	pF
Switching Time	Rise Time		-	0.60	1.00	uS
	Turn-on Time		-	0.70	1.10	
	Fall Time		-	0.20	0.40	
	Turn-off Time		-	0.50	1.00	
Thermal Resistance	Rth (j-c)	-	-	-	0.625	°C/W

2-21F2C



EQUIVALENT CIRCUIT

