

Dual Schottky Diode

20CJQ045

45V / 2A

DATASHEET

OEM – International Rectifier

Source: International Rectifier Databook 1995

International Rectifier

PD - 2.478A

20CJQ045

SCHOTTKY RECTIFIER

2 Amp

Major Ratings and Characteristics

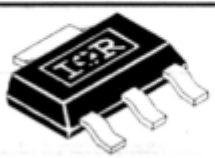
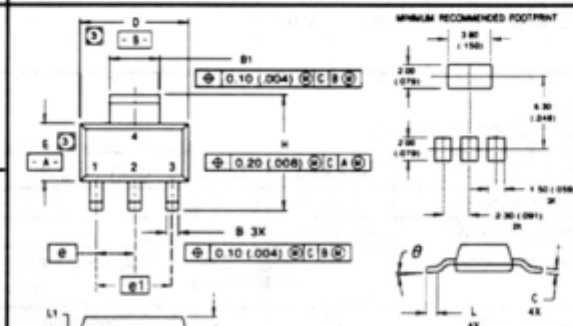
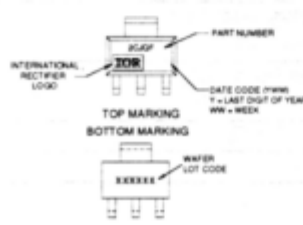
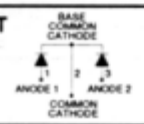
Characteristics	20CJQ045	Units
$I_{F(AV)}$ Rectangular waveform	2.0	A
V_{RRM}	45	V
I_{FSM} @ $t_p = 5\mu s$ sine	390	A
V_f @ 1.0Apk, $T_J = 125^\circ C$ (per leg)	0.46	V
T_J	-55 to 150	$^\circ C$

Description / Features

The 20CJQ045 surface-mount Schottky rectifier has been designed for applications requiring very low forward drop and very small foot prints. Typical applications are in portables, switching power supplies, converters, automotive systems, free-wheeling diodes, battery charging and reverse battery protection.

- Small footprint, surface mountable
- Low profile
- Very low forward voltage drop
- High frequency operation
- Guard ring for enhanced ruggedness and long-term reliability
- Common Cathode

SOT-223

CASE STYLE	CASE OUTLINE																																																																					
	 <table border="1" style="margin-left: auto; margin-right: auto;"> <thead> <tr> <th rowspan="2">DIM</th> <th colspan="2">MILLIMETERS</th> <th colspan="2">INCHES</th> </tr> <tr> <th>MIN</th> <th>MAX</th> <th>MIN</th> <th>MAX</th> </tr> </thead> <tbody> <tr> <td>A</td> <td>1.55</td> <td>1.80</td> <td>.061</td> <td>.071</td> </tr> <tr> <td>B</td> <td>0.85</td> <td>0.85</td> <td>.033</td> <td>.033</td> </tr> <tr> <td>B1</td> <td>2.95</td> <td>3.15</td> <td>.116</td> <td>.124</td> </tr> <tr> <td>C</td> <td>0.25</td> <td>0.35</td> <td>.010</td> <td>.014</td> </tr> <tr> <td>D</td> <td>6.30</td> <td>6.70</td> <td>.248</td> <td>.264</td> </tr> <tr> <td>E</td> <td>3.30</td> <td>3.70</td> <td>.130</td> <td>.146</td> </tr> <tr> <td>ϕ</td> <td colspan="2">2.30 BSC</td> <td colspan="2">.0905 BSC</td> </tr> <tr> <td>$\phi 1$</td> <td colspan="2">4.80 BSC</td> <td colspan="2">.181 BSC</td> </tr> <tr> <td>H</td> <td>6.71</td> <td>7.25</td> <td>.267</td> <td>.284</td> </tr> <tr> <td>L</td> <td>0.91</td> <td>—</td> <td>.036</td> <td>—</td> </tr> <tr> <td>L1</td> <td colspan="2">0.061 BSC</td> <td colspan="2">.0024 BSC</td> </tr> <tr> <td>θ</td> <td>—</td> <td>10$^\circ$</td> <td>—</td> <td>10$^\circ$</td> </tr> </tbody> </table>	DIM	MILLIMETERS		INCHES		MIN	MAX	MIN	MAX	A	1.55	1.80	.061	.071	B	0.85	0.85	.033	.033	B1	2.95	3.15	.116	.124	C	0.25	0.35	.010	.014	D	6.30	6.70	.248	.264	E	3.30	3.70	.130	.146	ϕ	2.30 BSC		.0905 BSC		$\phi 1$	4.80 BSC		.181 BSC		H	6.71	7.25	.267	.284	L	0.91	—	.036	—	L1	0.061 BSC		.0024 BSC		θ	—	10 $^\circ$	—	10 $^\circ$
DIM			MILLIMETERS		INCHES																																																																	
	MIN	MAX	MIN	MAX																																																																		
A	1.55	1.80	.061	.071																																																																		
B	0.85	0.85	.033	.033																																																																		
B1	2.95	3.15	.116	.124																																																																		
C	0.25	0.35	.010	.014																																																																		
D	6.30	6.70	.248	.264																																																																		
E	3.30	3.70	.130	.146																																																																		
ϕ	2.30 BSC		.0905 BSC																																																																			
$\phi 1$	4.80 BSC		.181 BSC																																																																			
H	6.71	7.25	.267	.284																																																																		
L	0.91	—	.036	—																																																																		
L1	0.061 BSC		.0024 BSC																																																																			
θ	—	10 $^\circ$	—	10 $^\circ$																																																																		
<h3>PART MARKING</h3>  <p>INTERNATIONAL RECTIFIER LOGO</p> <p>PART NUMBER</p> <p>DATE CODE (YYWW) Y = LAST DIGIT OF YEAR WW = WEEK</p> <p>TOP MARKING</p> <p>BOTTOM MARKING</p> <p>WAFER LOT CODE</p>	<h3>CIRCUIT</h3>  <p>BASE COMMON CATHODE</p> <p>ANODE 1</p> <p>ANODE 2</p> <p>COMMON CATHODE</p> <p>NOTES: 1 - DIMENSIONING AND TOLERANCING PER ANSI Y14.5M, 1982. 2 - CONTROLLING DIMENSION: INCH. 3 - DIMENSIONS DO NOT INCLUDE MOLD FLASH. 4 - CONFORMS TO JEDEC OUTLINE TO-261AA.</p>																																																																					

20CJQ045



Voltage Ratings

Part number	20CJQ045
V_R Max. DC Reverse Voltage (V)	45
V_{RWM} Max. Working Peak Reverse Voltage (V)	

Absolute Maximum Ratings

Parameters	20CJQ	Units	Conditions
$I_{F(AV)}$ Max. Average Forward Current See Fig. 5	2.0	A	50% duty cycle @ $T_C = 126^\circ\text{C}$, rectangular waveform
	4.0		50% duty cycle @ $T_C = 110^\circ\text{C}$, rectangular waveform
I_{FSM} Max. Peak One Cycle Non - Repetitive Surge Current (Per Leg) See Fig. 7	390	A	5 μs Sine or 3 μs Rect. pulse
	23		10ms Sine or 6ms Rect. pulse
E_{AS} Non - Repetitive Avalanche Energy (Per Leg)	15	mJ	$T_J = 25^\circ\text{C}$, $I_{AS} = 0.2\text{A}$, $L = 750\text{mH}$
I_{AR} Repetitive Avalanche Current (Per Leg)	0.2	A	Current decaying linearly to zero in 1 μsec Frequency limited by T_J max. $V_A = 1.5 \times V_R$ typical

Electrical Specifications

Parameters	20CJQ	Units	Conditions
V_{FM} Max. Forward Voltage Drop (Per Leg) See Fig. 1 Φ	0.50	V	@ 1.0A
	0.62	V	@ 2.0A
	0.46	V	@ 1.0A
	0.60	V	@ 2.0A
I_{RM} Max. Reverse Leakage Current (Per Leg) See Fig. 2 Φ	0.1	mA	$T_J = 25^\circ\text{C}$
	7.5	mA	$T_J = 125^\circ\text{C}$
C_T Max. Junction Capacitance (Per Leg)	70	pF	$V_R = 5V_{DC}$, (test signal range 100KHz to 1MHz) 25°C
L_S Typical Series Inductance (Per Leg)	6.0	nH	Measured lead to lead 5mm from package body
dv/dt Max. Voltage Rate of Change (Rated V_R)	7700	V/ μs	

Thermal-Mechanical Specifications

Parameters	20CJQ	Units	Conditions
T_J Max. Junction Temperature Range	-55 to 150	$^\circ\text{C}$	
T_{STG} Max. Storage Temperature Range	-55 to 150	$^\circ\text{C}$	
$R_{\theta JA}$ Max. Thermal Resistance, Junction to Ambient	65	$^\circ\text{C}/\text{W}$	DC operation
$R_{\theta JL}$ Max. Thermal Resistance, Junction to Lead	25	$^\circ\text{C}/\text{W}$	DC operation — see Fig. 4.
w_t Approximate Weight	0.13(.0045)	g (oz.)	
Case Style	SOT-223		

Φ Pulse Width < 300 μs , Duty Cycle < 2%

20CJQ045

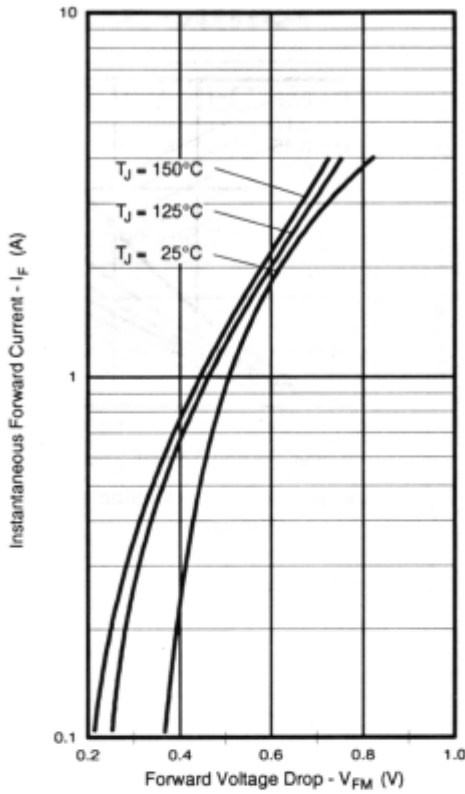


Fig. 1 Max. Forward Voltage Drop Characteristics (Per Leg)

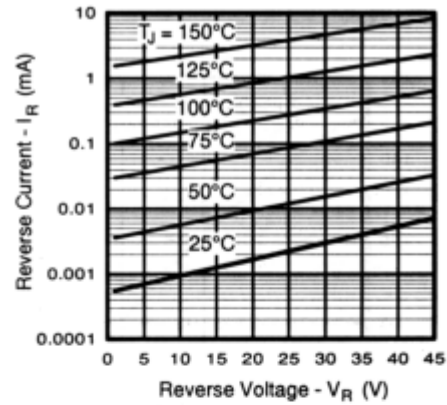


Fig. 2 Typical Values of Reverse Current Vs. Reverse Voltage (Per Leg)

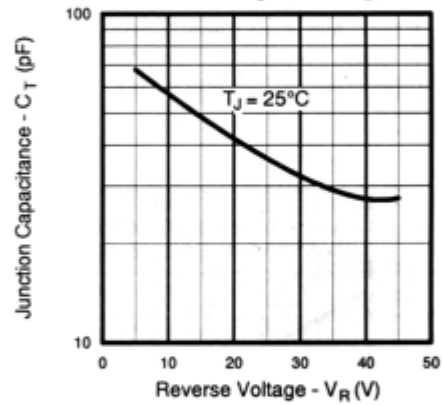


Fig. 3 Typical Junction Capacitance Vs. Reverse Voltage (Per Leg)

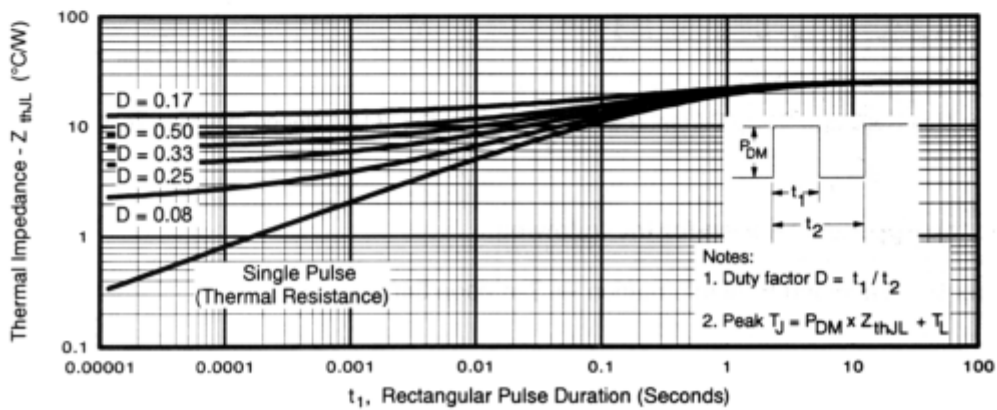


Fig. 4 Max. Thermal Impedance Z_{thJL} Characteristics (Per Leg)

20CJQ045

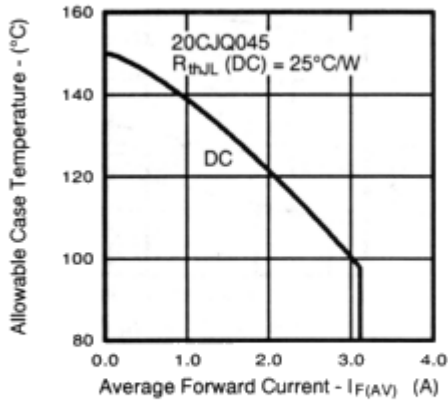


Fig. 5 Max. Allowable Case Temperature Vs. Average Forward Current (Per Leg)

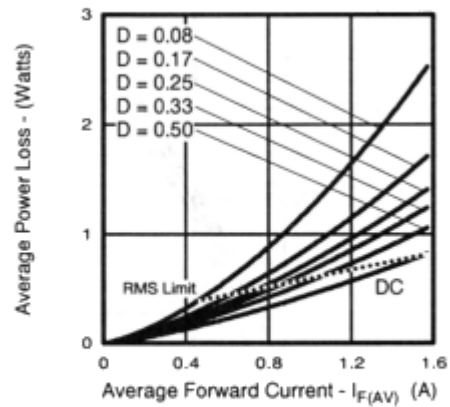


Fig. 6 Forward Power Loss Characteristics (Per Leg)

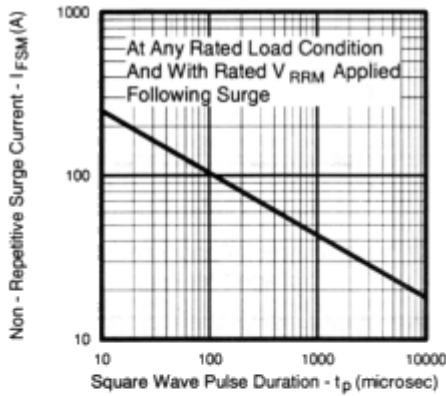


Fig.7 Max. Non-Repetitive Surge Current (Per Leg)

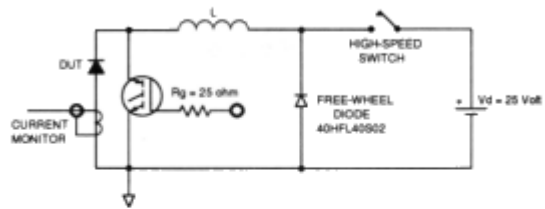


Fig. 8 Unclamped Inductive Test Circuit

Refer to the Appendix Section for the following:

Appendix D: Tape and Reel Information — See page 340.