

Bridge Rectifier

GBPC606

600V / 6A

DATASHEET

from

www.web-bcs.com

OEM – General Semiconductor

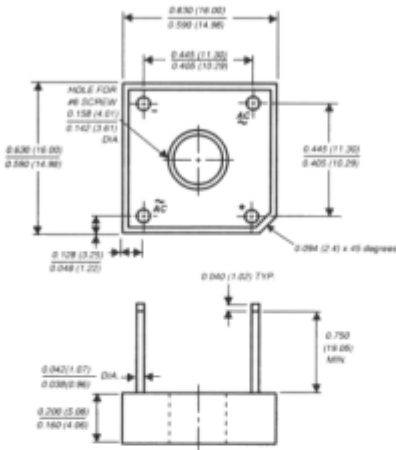
Source: General Semiconductor Databook 1998

GBPC6005 THRU GBPC610

GLASS PASSIVATED SINGLE-PHASE BRIDGE RECTIFIER

Reverse Voltage - 50 to 1000 Volts Forward Current - 6.0 Amperes

Case Style GBPC

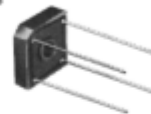


Polarity shown on side of case: Positive lead by beveled corner

Dimensions in inches and (millimeters)

FEATURES

- ◆ Plastic package has carries Underwriters Laboratory Flammability Classification 94V-0
- ◆ This series is UL listed under recognized under Component Index, file number E54214
- ◆ Glass passivated chip junctions
- ◆ High case dielectric strength of 1500 VRMS
- ◆ Typical IR less than 0.5μA
- ◆ High forward surge current capability
- ◆ Ideal for printed circuit boards
- ◆ High temperature soldering guaranteed: 260°C/10 seconds at 5lbs. (2.3 kg) tension



MECHANICAL DATA

Case: Molded plastic body over passivated junction

Terminals: Plated leads solderable per MIL-STD-750, Method 2026

Mounting Position: Any (NOTE 1)

Mounting Torque: 5.0 in. - lb. max.

Weight: 0.1 ounce, 2.8 grams

MAXIMUM RATINGS AND ELECTRICAL CHARACTERISTICS

Ratings at 25°C ambient temperature unless otherwise specified.

	SYMBOLS	GBPC 6005	GBPC 601	GBPC 602	GBPC 604	GBPC 606	GBPC 608	GBPC 610	UNITS
Maximum repetitive peak reverse voltage	VRRM	50	100	200	400	600	800	1000	Volts
Maximum RMS bridge input voltage	VRMS	35	70	140	280	420	560	700	Volts
Maximum DC blocking voltage	VDC	50	100	200	400	600	800	1000	Volts
Maximum average forward rectified output current at TC=50°C (NOTE 1, 2) TA=40°C (NOTE 3)	IAV					6.0			Amps
Peak forward surge current single sine-wave superimposed on rated load (JEDEC Method)	IFSM					175.0			Amps
Rating for fusing (t<8.3ms)	FI					127.0			A ² sec
Maximum instantaneous forward voltage drop per leg at 3.0 Amperes	VF					1.0			Volts
Maximum DC reverse current at rated DC blocking voltage per leg TA=25°C TA=125°C	IR					5.0			μA
Typical junction capacitance per leg (NOTE 4)	CJ					186.0	90.0		pF
Typical thermal resistance per leg (NOTE 3) (NOTE 2)	REJA REJC					22.0			°C/W
Operating junction temperature range	TJ					-55 to +150			°C
Storage temperature range	TSTG					-55 to +150			°C

NOTES:

- (1) Bolt down on heat-sink with silicone thermal compound between bridge and mounting surface for maximum heat transfer with #6 screw
- (2) Unit mounted on 5.5 x 6.0 x 0.11" thick (14 x 15 x 0.3cm) Al. Plate
- (3) Unit mounted on P.C.B. at 0.375" (9.5mm) lead length with 0.5 x 0.5" (12 x 12mm) copper pads
- (4) Measured at 1 MHz and applied reverse voltage of 4.0 Volts

RATINGS AND CHARACTERISTICS CURVES GBPC6005 THRU GBPC610

